



FM02500

FOAM MARKING SYSTEM

Standard 25 Gallon Foam Marker

Features:

- 25 gallon, high density poly tank
- Wet/Dry knob for on-the-go adjustment
- Long-life molded rubber boots
- Disconnect boots for "Strip Foaming"
- Standard with 100' of 1/2" foam hose
- Open-flow system means easy tank mixing
- End-line "foam enhancing" chambers for thicker foam
- 4 - 5/16" molded-in lugs in back of tank for easy mounting
- Lighted control box with left/right switch & indicator lights
- 20' break-away harness (10' x 10')
- Molded-in component housing

Specifications:

Capacity: 25 Gallon
 Cost Per Hour: \$0.86 per hour (128 to 1 concentrate @ \$22.20 gal.)
 Power Source: 12 Volt
 Amperage Use: Switched Left - 12 Amps. / Switched Right - 13.5 Amps.
 Running Time per Fill: 8.03 hours
 Dimensions: Width: 22" / Depth: 14" / Height: 31"
 Drop Rate: 14 drops per minute / 370 gallons per hour (by volume)



Part#	Description	Price
FM02500	25 Gallon Standard System	\$2,074.96



HO-FM02500

HIGH OUTPUT FOAM MARKING SYSTEM

High-Output 25 Gallon Foam Marker

Features:

- 25 gallon, high density poly tank
- Wet/Dry knob for on-the-go adjustment
- Long-life molded rubber boots
- Disconnect boots for "Strip Foaming"
- Standard with 100' of 3/4" foam hose
- Open-flow system means easy tank mixing
- End-line "foam enhancing" chambers for thicker foam
- 4 - 5/16" molded-in lugs in back of tank for easy mounting
- Lighted control box with left/right switch & indicator lights
- 20' break-away harness (10' x 10')
- Molded-in component housing

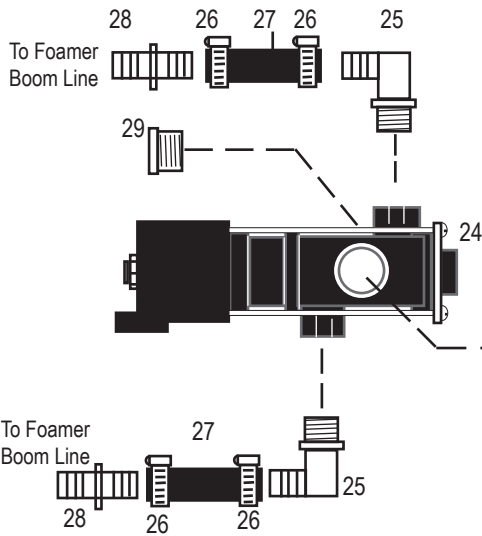
Specifications:

Capacity: 25 Gallon
 Cost Per Hour: \$1.98 per hour (128 to 1 concentrate @ \$22.20 gal.)
 Power Source: 12 Volt
 Amperage Use: Switched Left - 19 Amps. / Switched Right - 20.5 Amps.
 Running Time per Fill: 4.5 hours
 Dimensions: Width: 22" / Depth: 14" / Height: 31"
 Drop Rate: 17 drops per minute /
 528 gallons per hour (by volume)



Part#	Description	Price
HO-FM02500	25 Gallon High Output System	\$2,241.95

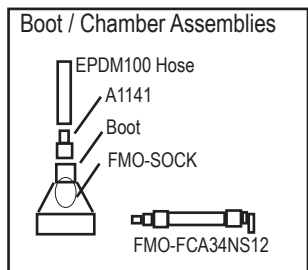
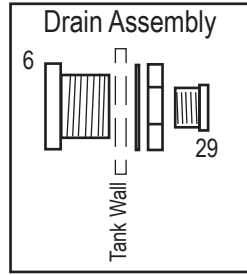
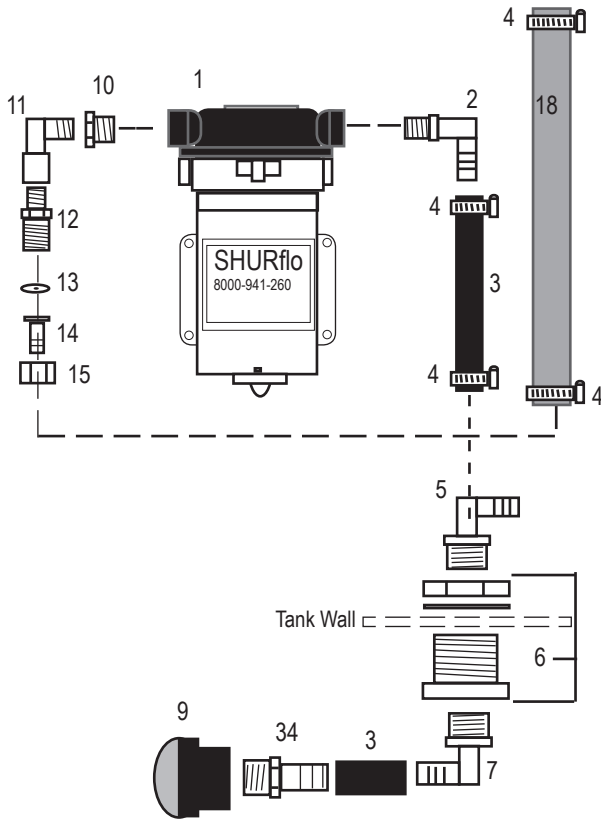




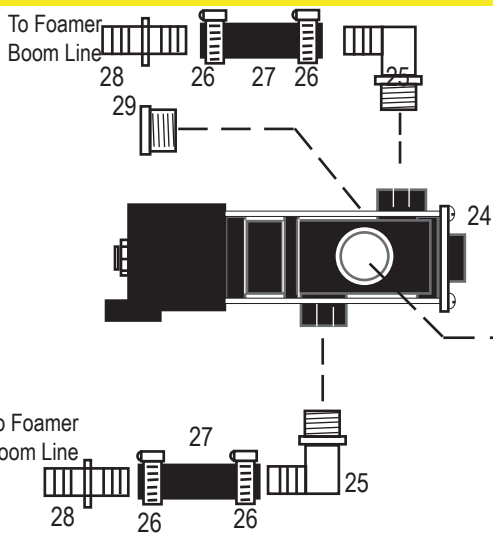
List Price
Please Apply Discount

FMO2500 FOAM MARKING SYSTEM

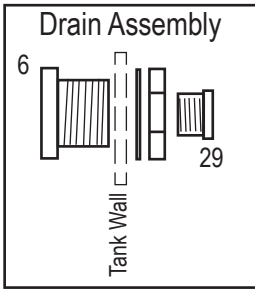
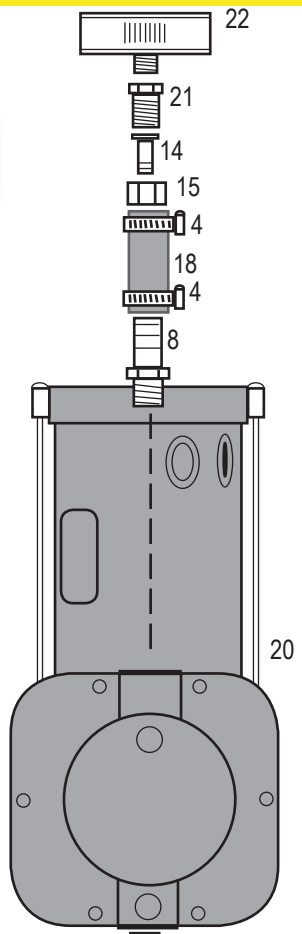
PARTS BREAKDOWN



1	8000-941-260	Shurflo 12 Volt	\$162.74
2	EL3812	3/8" Npt x 1/2 Barb	\$1.28
3	EPDM12	1/2" Rubber Hose	\$1.24
4	HC12	1/2" Clamp	\$1.20
5	EL3438	3/4" Npt x 3/8" Barb El	\$1.76
6	NORFITT34 3/4"	Tank Fitting Assm.	\$16.90
7	EL3412	3/4" Npt x 1/2 Barb El	\$1.74
8	A1838	3/8" Npt x 3/8" Barb	\$.67
9	RVSTR38	3/8" Strainer	\$11.97
10	RB3814	Rdcr. Bushing 3/8" x 1/4"	\$3.76
11	SE14	1/4" Street Elbow	\$3.32
12	1/4T-NYB	Male Adapter	\$2.65
13	CP4916-31	Orifice Plate	\$3.19
14	K840038	3/8" Hose Shank	\$1.05
15	NC	Nozzle Cap	\$.65
16	11750-PP	Check Valve	\$5.70
17	NB112	1/2" Straight Nozzle Body I	\$1.48
18	BVT38	3/8" Braided Vynil Tubing	\$.80
19	EL1412	1/4" Npt x 1/2" Barb El	\$1.25
20	FMO-COMP	Thomas Air Comprsr. / Std	\$379.59
21	1/4TT-NYB	1/4" Female Nozzle Body	\$2.65
22	FMO-COMP-CF	Compressor Filter	\$26.10
23	YB38	3/8" Y Barb	\$4.29
24	AA144F-1-3	Solenoid Valve	\$179.83
25	EL1212	1/2" NPT x 1/2" Barb	\$1.30
26	HC12	1/2" Clamp	\$1.20
27	EPDM12	1/2" Rubber Hose	\$1.24
28	TM1200	Hose Connector 1/2"	\$.79
29	F3400	3/4" Pipe Plug	\$3.84
30	SOL25FMT	25 Gallon Foamer Tank	\$208.15
31	FMO-DOOR	Door Kit with Screws Etc.	\$36.75
32	FMO-MP-NS	Mount Plate Inernal	\$60.00
33	FMO-MP-EXT-ES	External Mount Plate	\$36.75
34	A3812	Fitting	\$.75

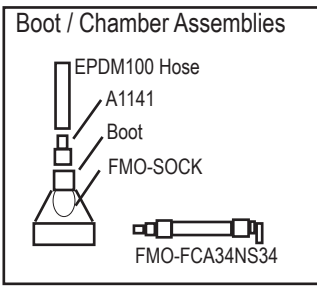
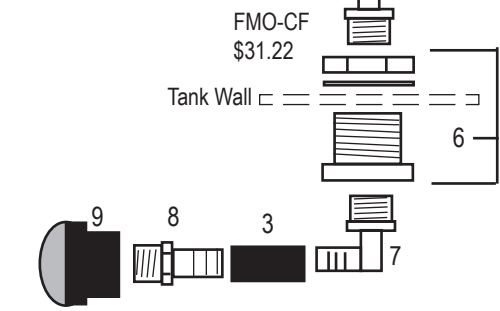
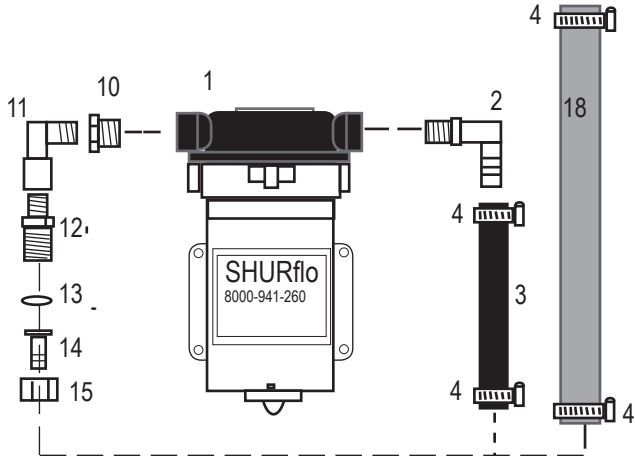


List Price
Please Apply Discount



HO-FMO2500
HIGH OUTPUT FOAM MARKING SYSTEM

PARTS BREAKDOWN



1	8000-941-260	Shurflo 12 Volt	\$162.74
2	EL3812	3/8" Npt x 1/2 Barb	\$1.28
3	EPDM12	1/2" Rubber Hose	\$1.24
4	HC12	1/2" Clamp	\$1.20
5	EL3412	3/4" Npt x 1/2" Barb El	\$1.74
6	NORFITT34	3/4" Tank Fitting Assm.	\$16.90
7	EL3412	3/4" Npt x 1/2 Barb El	\$1.74
8	A3812	3/8" Npt x 1/2" Barb	\$.75
9	RVSTR38	3/8" Strainer	\$11.97
10	RB3814	Redcr Bushing 3/8" x 1/4"	\$3.76
11	SE14	1/4" Street Elbow	\$3.32
12	1/4T-NYB	Male Adapter	\$2.65
13	CP4916-51	Orifice Plate	\$3.19
14	K840012	1/2" Hose Shank	\$1.05
15	NC	Nozzle Cap	\$.65
16	11750-PP	Check Valve	\$5.70
17	NBI12	1/2" Straight Nozzle Body I	\$1.48
18	BVT12	1/2" Braided Vinyl Tubing	\$1.08
19	EL1412	1/4" Npt x 1/2" Barb El	\$1.25
20	HO-FMO-COMP-T	Thomas Air Comprsr. H.O.	\$608.56
21	1/4TT-NYB	1/4" Female Nozzle Body	\$ 2.65
22	HO-FMO-COMP-TCF	Compressor Filter	\$30.90
23	YB12	1/2" Y Barb	\$4.31
24	AA144F-1-3	Solenoid Valve	\$179.83
25	EL1234	1/2" NPT x 3/4" Barb	\$1.72
26	HC34	3/4" Clamp	\$1.24
27	EPDM34	3/4" Rubber Hose	\$1.80
28	TM3400	Hose Connector 3/4"	\$1.09
29	F3400	3/4" Pipe Plug	\$3.84
30	SOL25FMT	25 Gallon Foamer Tank	\$208.15
31	FMO-DOOR	Door Kit with Screws Etc.	\$36.75
32	FMO-MP-NS	Mount Plate Inernal	\$60.00
33	FMO-MP-EXT-ES	External Mount Plate	\$36.75